

OUTDOOR COLLECTION

It just tastes better on a Jetmaster



Jetmaster

ENHANCING YOUR OUTDOOR ENTERTAINMENT AREA.

Having a braai with friends and family is something we all love to do. Whether it's a Sunday get-together for a lamb on the spit or a spur-of-the-moment lunch with sizzling burgers and steak rolls, braaing has become an essential part of life. A model from the Nova range, Entertainer range or Dual ranges of built-in braais will add a new dimension to your entertainment area where friends and family can gather. The product's timeless design will enhance your patio and will blend perfectly with your outdoor entertainment area.

AN UNRIVALLED REPUTATION

Since 1951 Jetmaster has been providing households throughout South Africa as well as around the world braais and fireplaces of distinction. The value of a Jetmaster has transcended concept and design and today it has a generic value that encompasses all braais on a global scale.

Jetmaster has over 70 years' experience in designing and manufacturing braais. The wide variety of designs and sizes available enables you to choose one that will blend perfectly with your entertainment area and add an attractive, functional feature to your home.

STAINLESS STEEL

Most Jetmaster Built-in Braais are offered in stainless steel and are available on application only. We use Grade 304, but due to conditions beyond our control we do not guarantee against rust. All Jetmaster gas products and accessories have been approved by the LPGSASA and conform to the highest safety standards.

All gas products must be installed by our Licensed Gas technicians to ensure safety and functionality. For guaranteed performance, have your unit installed by one of our recommended installers.

Jetmaster reserves the right to alter specifications, scope of supply and model line-up without prior notification.

Jetmaster braai units are easily installed in both new and existing homes. The wide variety of designs and sizes available enables you to choose one that will blend perfectly with your entertainment area and add an attractive, functional feature to your home.



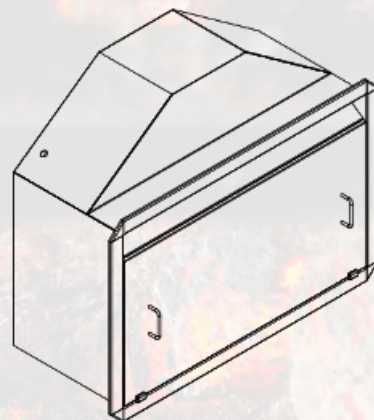
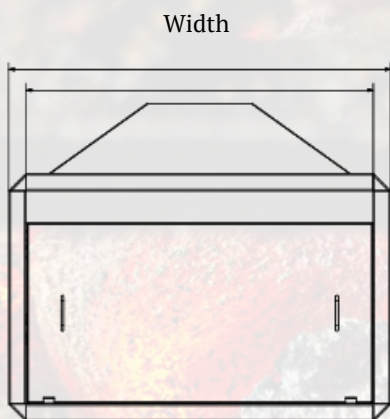


NOVA BRAAI MS-HD

The Nova Braai, built for durability and convenience. Its sturdy exterior is complemented by a nickel-plated grill, charcoal tray, and charcoal starter, ensuring easy and efficient grilling. The design includes a handy potjie hook, a light fitting for nighttime use, and a removable door that clips securely to the bottom frame. Complete with an installation manual, the Nova Braai offers everything you need for the perfect braai experience.



UNIT /MODEL	MEASUREMENTS (MM)						FLUE		
	Body Width	Body +Frame	Depth	Body Height	Gather Height	Grill size	Charcoal starter	SizeØ	Length
NOVA 1 DOOR									
800	800	900	450	615	251	785x420	NO	225	1200
1000	1000	1100	450	615	251	758x420	YES	250	1200



Excludes Corrosion

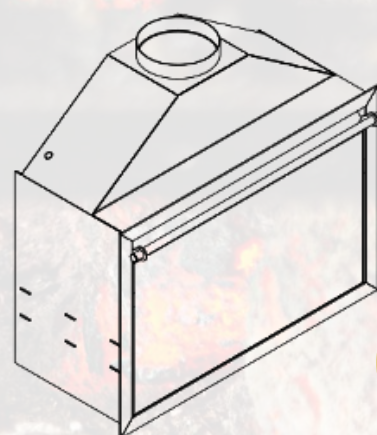
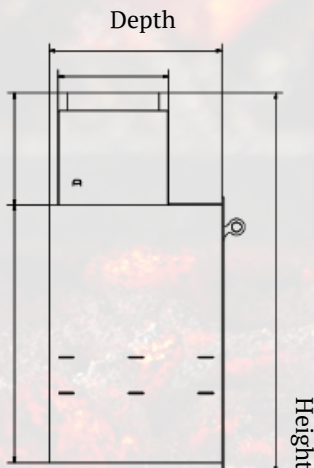
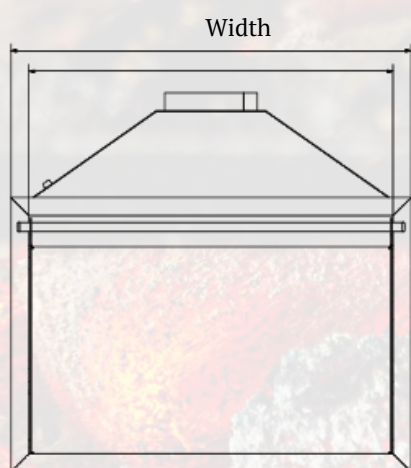


ENTERTAINER

The Entertainer Braai in durable mild steel – the perfect addition to any outdoor cooking space. Built with a robust, heavy-duty design, this versatile unit comes equipped with everything you need for an exceptional braai experience. It includes a convenient charcoal tray and starter for quick setup, a nickel-plated grill for even cooking, a potjie hook for traditional meals, and a built-in light fitting for evening grilling. The smart door system features a prep table for added convenience.



UNIT / MODEL	MEASUREMENTS (MM)						FLUE		
	Body Width	Body +Frame	Depth	Body Height	Gather Height	Grill Size	Charcoal Starter	SizeØ	Length
700	744	800	458	684	239	690X420	NO	225	1200
1000	1052	1100	475	708	308	785X420	YES	250	1200
1200	1252	1300	475	708	378	985X420	YES	275	1200



Excludes Corrosion

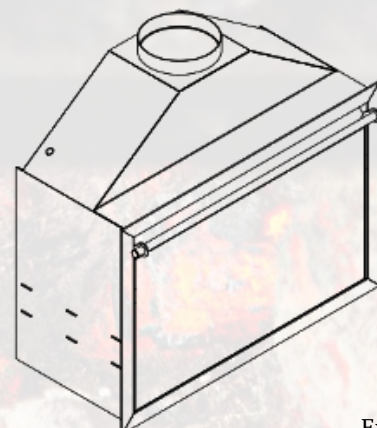
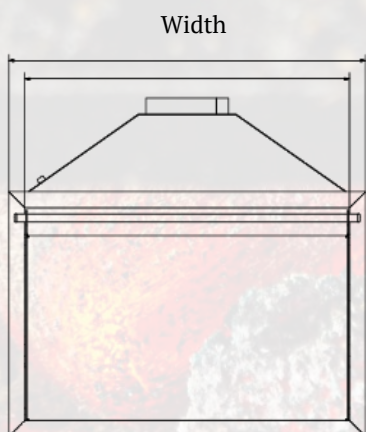


ENTERTAINER 304 / 430

The Entertainer Braai in durable 304 stainless steel – the perfect addition to any outdoor cooking space. Built with a robust, heavy-duty design, this versatile unit comes equipped with everything you need for an exceptional braai experience. It includes a convenient charcoal tray and starter for quick setup, a nickel-plated grill for even cooking, a potjie hook for traditional meals, and a built-in light fitting for evening grilling. The smart door system features a prep table for added convenience.



UNIT / MODEL	MEASUREMENTS (MM)						FLUE		
	Body Width	Body +Frame	Depth	Body Height	Gather Height	Grill size	Charcoal starter	SizeØ	Length
700	744	800	458	684	239	690X420	NO	225	1200
1000	1052	1100	475	708	308	785X420	YES	250	1200
1200	1252	1300	475	708	378	985X420	YES	275	1200



Excludes Corrosion

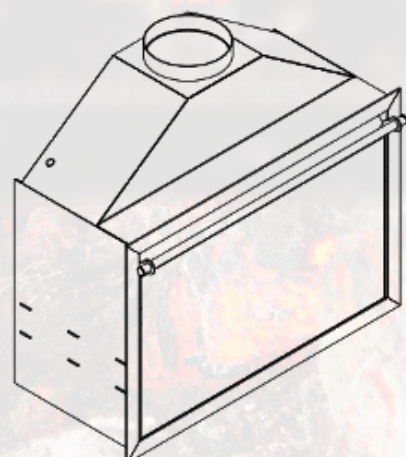
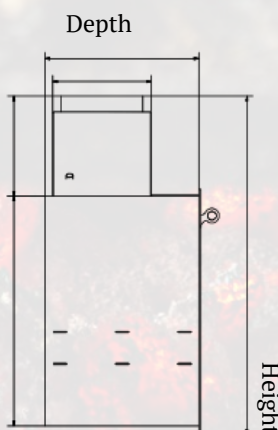
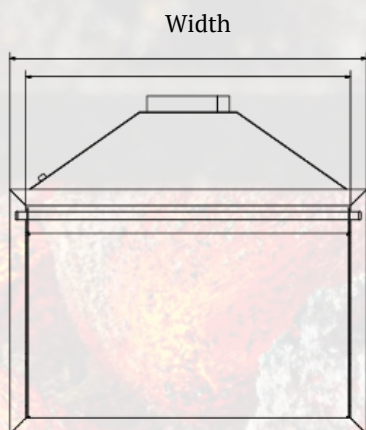


ENTERTAINER HYBRID

The Hybrid Entertainer Braai – a stylish blend of functionality and design. Featuring a durable mild steel body paired with a sleek 304 stainless steel frame fascia and door, this braai is built for both performance and elegance. It comes complete with a charcoal tray, charcoal starter, nickel-plated grill, potjie hook, and light fitting for a premium grilling experience. The innovative door system with a built-in prep table adds convenience. Perfect for those who appreciate quality and sophistication in outdoor cooking.



UNIT / MODEL	MEASUREMENTS (MM)						FLUE		
	Body Width	Body +Frame	Depth	Body Height	Gather Height	Grill size	Charcoal starter	SizeØ	Length
700	744	800	458	684	239	690X420	NO	225	1200
1000	1052	1100	475	708	308	785X420	YES	250	1200
1200	1252	1300	475	708	378	985X420	YES	275	1200



Excludes Corrosion

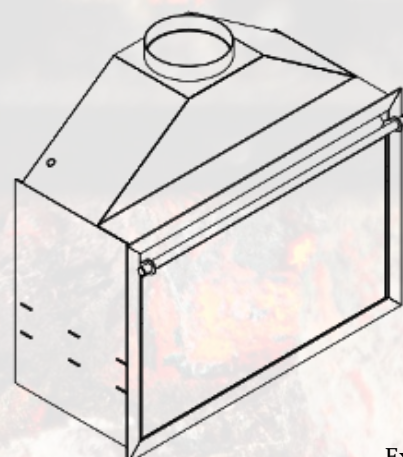
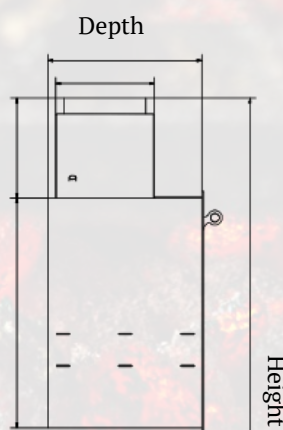
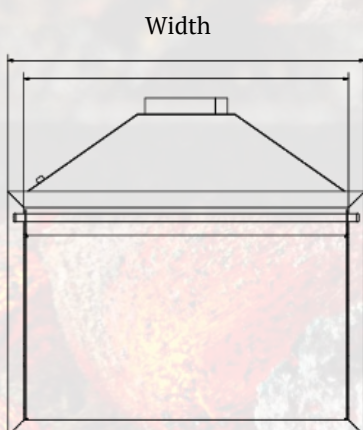


ENTERTAINER GAS

The Entertainer Gas Braai – a stylish blend of functionality and design. Featuring a durable mild steel body paired with a sleek stainless steel 304 stainless steel gas insert, this braai is built for both performance and elegance. It comes complete with a light fitting for a premium grilling experience. The innovative door system with a built-in prep table adds convenience. Perfect for those who appreciate quality and sophistication in outdoor cooking.



UNIT / MODEL	MEASUREMENTS (MM)					Gas grill	FLUE		
	Body Width	Body +Frame	Depth	Body Height	Gather Height		Burners	SizeØ	Length
700	744	800	458	684	239	645X415	3	225	1200
1000	1052	1100	475	708	308	983X415	5	250	1200
1200	1252	1300	475	708	378	1165X415	6	275	1200



Excludes Corrosion

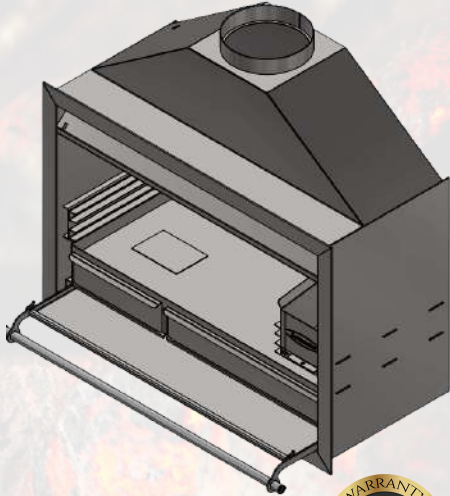
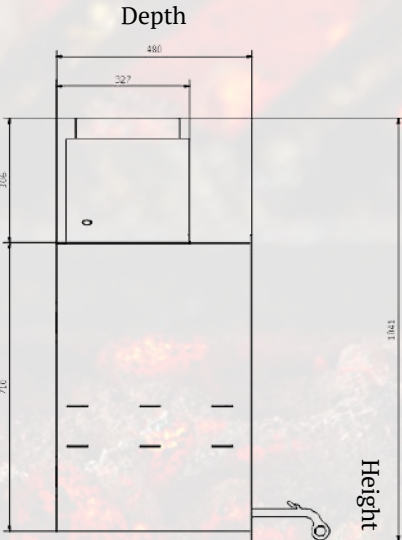
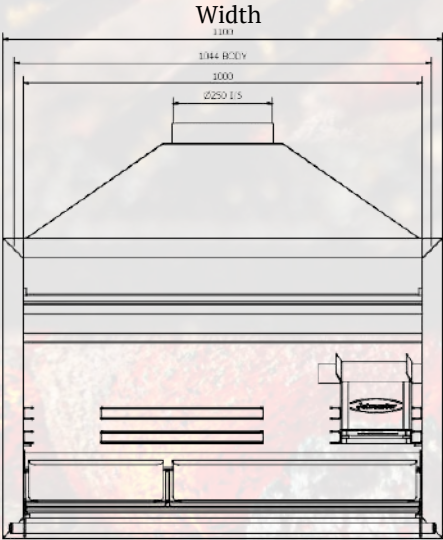


ENTERTAINER DELUXE

The Entertainer Deluxe Braai – a bold blend of tradition and practicality. Crafted entirely from durable mild steel, this braai is built tough for lasting performance while bringing authentic wood-fired flavour to your meals. The rotisserie insert lets you slow-roast to perfection, while a built-in light fitting ensures you can braai long after the sun goes down. Its clever door system doubles as a prep table, adding convenience to your outdoor cooking. Strong, functional, and made for unforgettable gatherings – the Entertainer Deluxe is the true centrepiece for any occasion.



UNIT / MODEL	MEASUREMENTS (MM)						FLUE		
	Body Width	Body +Frame	Depth	Body Height	Gather Height	Grill Size	Charcoal starter	SizeØ	Length
1000	1044	1100	480	710	306	785x420	YES	250	1200



Excludes Corrosion

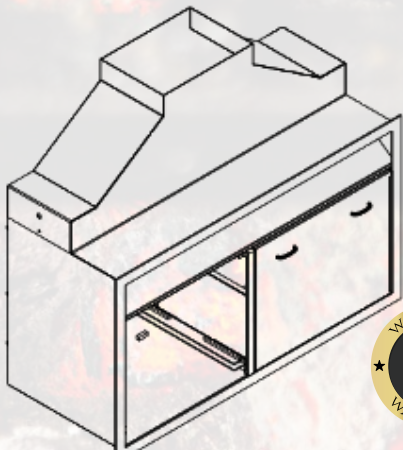
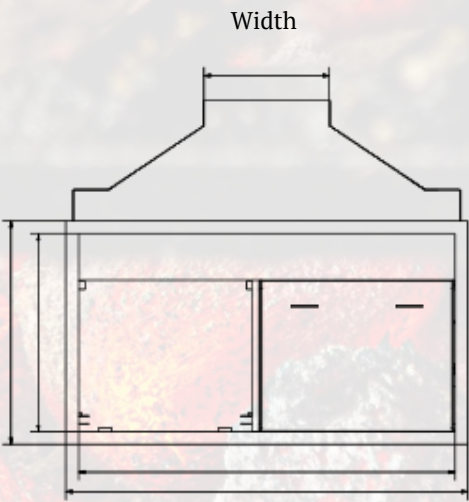


DUAL

Dual Braai, combining versatility and strength with a sturdy outer body. It features a charcoal tray with an ash disposal drawer, potjie hook, nickel-plated grill, and a powerful 304 stainless steel 3-burner gas insert. The unit also includes a light fitting, two separate slide-in doors, and a convenient prep table for seamless grilling. An installation manual is provided for easy setup. Please note, the charcoal starter is not compatible with the Dual Braai. The perfect solution for those seeking both charcoal and gas grilling options in one unit.



UNIT / MODEL	MEASUREMENTS (MM)							FLUE		
	Body Width	Body + Frame	Depth	Body Height	Gather Height	Gas Grill	Charcoal Grill	Charcoal starter	SizeØ	Length
DUAL 1500	1500	1600	660	813	507	645x595	725x490	NO	475	1200



Excludes Corrosion

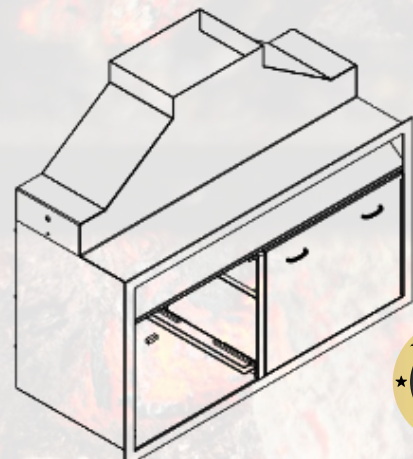
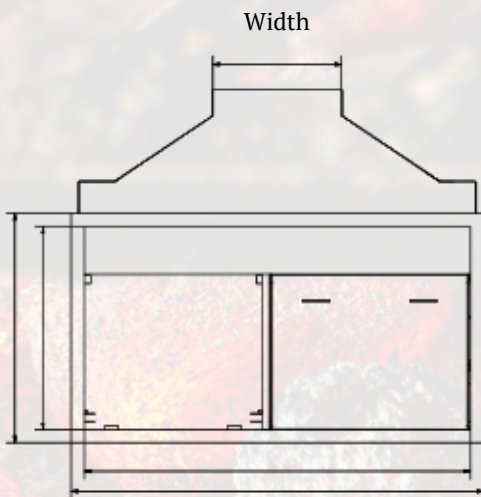


DUAL SS

The Dual 304 stainless steel Braai, combining versatility and strength with a sturdy outer body. It features a charcoal tray with an ash disposal drawer, potjie hook, nickel-plated grill, and a powerful 304 stainless steel 3-burner gas insert. The unit also includes a light fitting, two separate slide-in doors, and a convenient prep table for seamless grilling. An installation manual is provided for easy setup. Please note, the charcoal starter is not compatible with the Dual Braai. The perfect solution for those seeking both charcoal and gas grilling options in one unit.



UNIT / MODEL	MEASUREMENTS (MM)								FLUE	
	Body Width	Body + Frame	Depth	Body Height	Gather Height	Gas Grill	Charcoal Grill	Charcoal starter	SizeØ	Length
1500	1500	1600	660	813	507	645x595	725x490	NO	475	1200



Excludes Corrosion



DIY BRAAIBOX

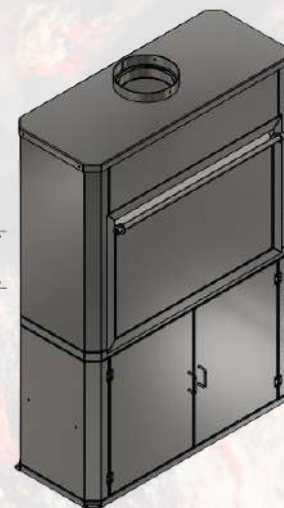
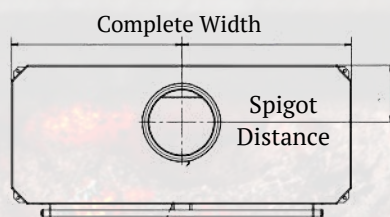
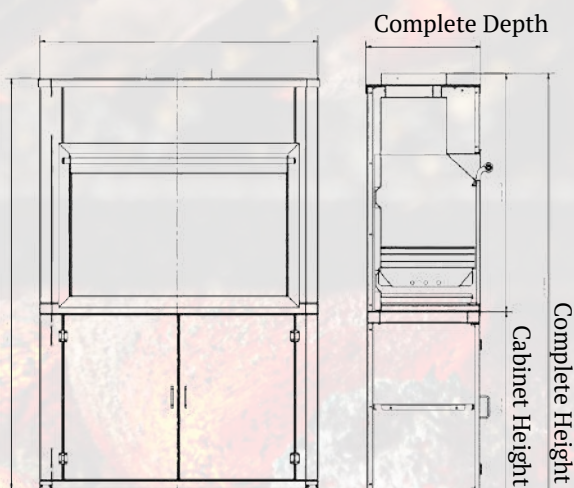
BraaiBox is a sleek, freestanding cabinet designed for effortless outdoor grilling. Available in durable mild steel, painted black or a stylish powder-coated finish, it eliminates the need for complex construction—just insert your braai and get grilling. Whether you're upgrading your patio or need a simple solution for your braai setup, BraaiBox offers a no-fuss, high-quality option that blends functionality with modern design. Perfect for any outdoor space, BraaiBox ensures your braai is secure, stylish, and always ready for action.

**Please note that the BraaiBox does not come assembled!
1 Length of 1.2 meter flue and Storm cowl included**

*Braai sold separately



UNIT /MODEL	MEASUREMENTS (MM)						FLUE	
	Complete Box Width	Complete Box Depth	CompleteBox Height	Cabinet Width only	Cabinet Height only	Spigot distance	SizeØ	Length
1000 Entertainer	1286	520	1928	1270	850	215	300	1200



Excludes Corrosion

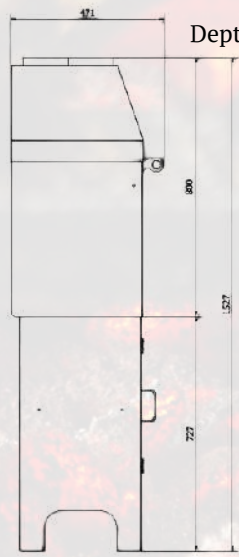
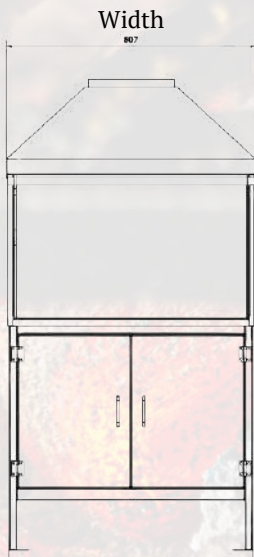


CABINET 850

The Cabinet 850 Freestanding Braai – outdoor cooking made effortless. Designed for convenience and durability, this ready-to-use braai requires no construction – simply position it in your space, light the fire, and enjoy. Built with your choice of mild steel for strength or stainless steel for a sleek, modern finish, it's crafted to suit every style of home. The unit comes complete with a 600mm flue pipe and storm cowl, making installation quick and hassle-free. Practical, stylish, and reliable – the Cabinet 850 Freestanding Braai is the perfect way to bring authentic wood-fired cooking straight to your outdoor area.



UNIT / MODEL	MEASUREMENTS (MM)							FLUE	
	Body Width	Depth	Body Height	Cabinet Height	Total Height	Grill size	Charcoal starter	SizeØ	Length
CABINET 850	807	471	800	727	1527	750x355	NO	275	600



Height



Excludes Corrosion

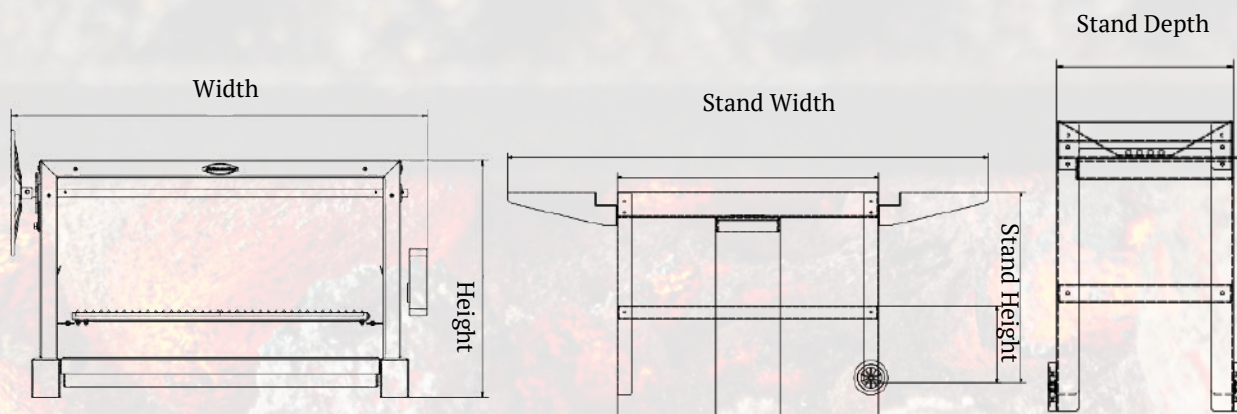


ARGENTINIAN

Discover the Argentinian Asado, the mother of all barbecues, designed for slow cooking meat to succulent perfection while infusing it with the smoky flavours of South African hardwoods. Featuring a V-grid design, this grill cradles juices to create exquisite basting sauces and minimizes flare-ups. The Argentinian Asado includes drip trays, an ash disposal pan, and a rotisserie set, with an optional stand for added versatility. Born in South America and perfected in South Africa, this grill elevates your outdoor cooking to a new level of flavour and enjoyment.



UNIT / MODEL	MEASUREMENTS (MM)					
	Unit Width	Unit Depth	Unit Height	Stand Width	Stand Depth	Stand Height
MEDIUM	946	500	540	1564	490	802
LARGE	1148	500	608	1899	490	755



Excludes Corrosion



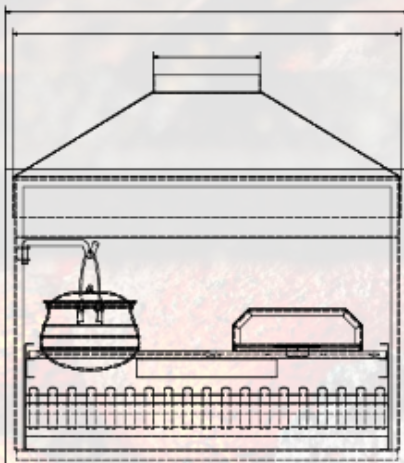
4 IN 1 QUADRO

The 4-in-1 Quadro Braai – a versatile outdoor fireplace designed for those who love multi-functional grilling. This unit features a durable exterior fireplace body with a log pan and built-in runners for seamless operation. It comes equipped with a cast iron grid, cast steel steak plate, and a potjie hook, along with a Size 3 Potjie pot for traditional cooking. The included 304 stainless steel pizza oven insert allows you to bake perfect pizzas outdoors, making it a true all-in-one solution.

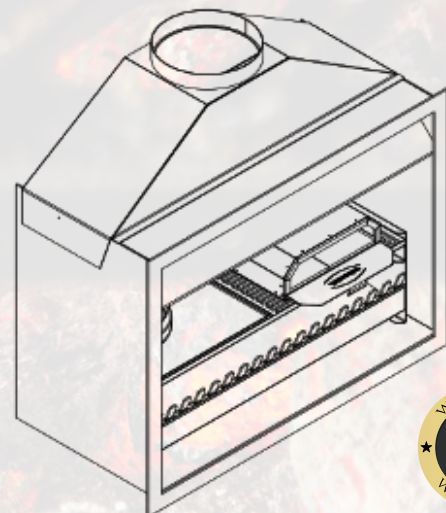
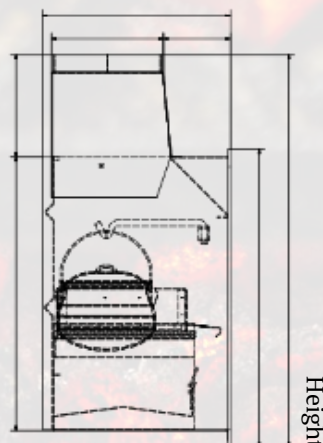


UNIT / MODEL	MEASUREMENTS (MM)					FLUE SIZE	
	Width	Depth	Body Height	Gather Height	Cooking surface	Ø	Length
4 IN 1 QUADRO							
BUILT IN	1050	511	781	291	960x400	300	1200

Width



Depth



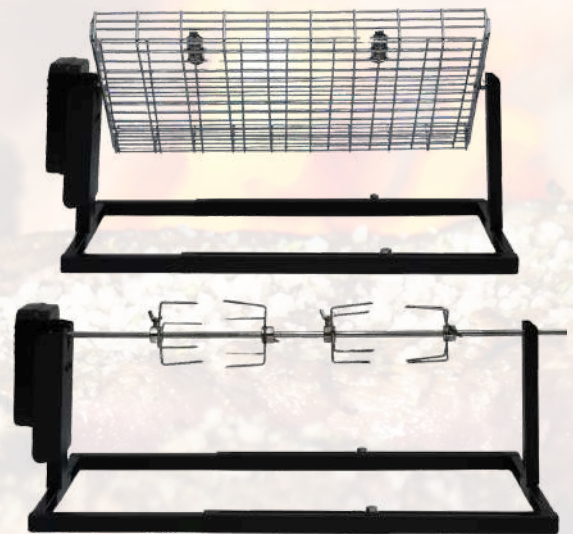
Excludes Corrosion



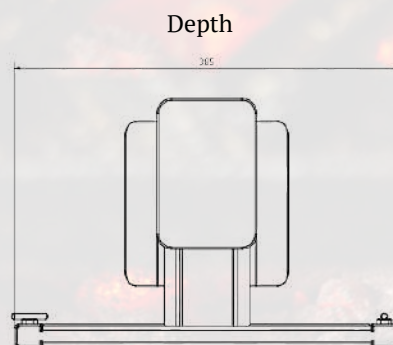
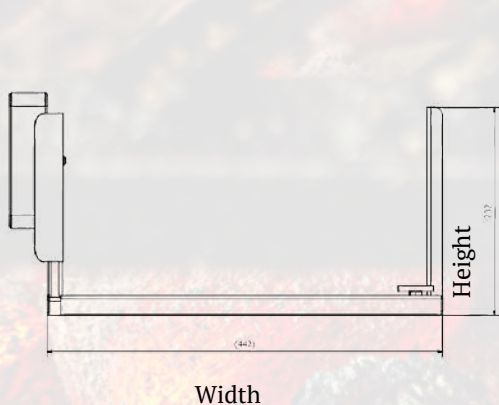
ROTISSERIE INSERT

Take your braai experience to the next level with the Rotisserie Insert – designed to transform any braai into a flavour-packed feast.

With the perfect balance of glowing coals and gentle rotation, this unit ensures your meat is evenly cooked, juicy, and bursting with authentic braai flavour. From whole chickens and juicy lamb ribs to skewered veg and stuffed mushrooms – the rotisserie does it all with ease.



UNIT /MODEL	MEASUREMENTS (MM)				Rotisserie length
	Width	Depth	Total Height	Basket Size	
SMALL	442	385	232	385x215x50	475
LARGE	810	385	232	510x320x50	740



Excludes Corrosion

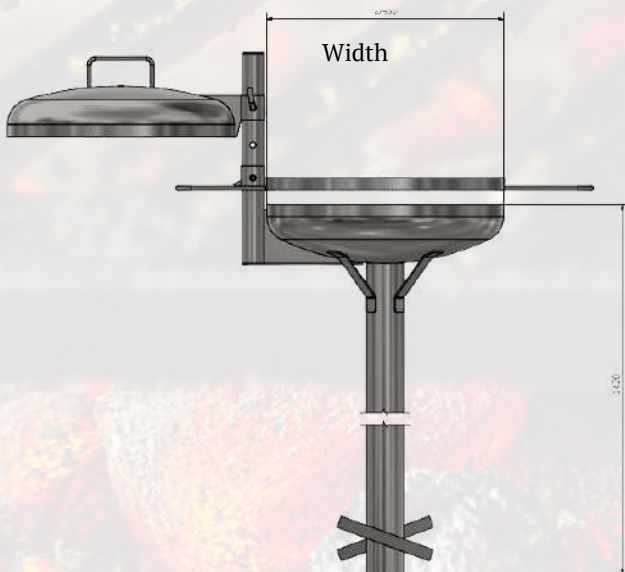


THE SKUKUZA

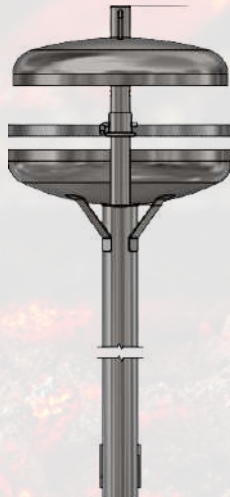
The Skukuza Braai -Uniting Family Outdoors – a bold new way to bring people together around the fire. Crafted from durable mild steel, this braai is designed for strength, longevity, and that authentic wood-fired cooking experience South Africans love. Its solid stand design makes it perfect for patios, backyards, or open-air gatherings, while the spacious grill area ensures there’s always room to feed family and friends. Whether it’s sizzling steaks, smokey boerewors, or a simple fireside chat, the Skukuza Braai delivers unforgettable moments. Strong, simple, and built for connection – it’s more than a braai, it’s the heart of every gathering



UNIT /MODEL	MEASUREMENTS (MM)			
	Width	Height from foot to grilling area	Total Height	Grill Size
SKUKUZA	480Ø	1420	1728	480Ø



Height of from foot to grilling areawith cowl



Total Height



Excludes Corrosion

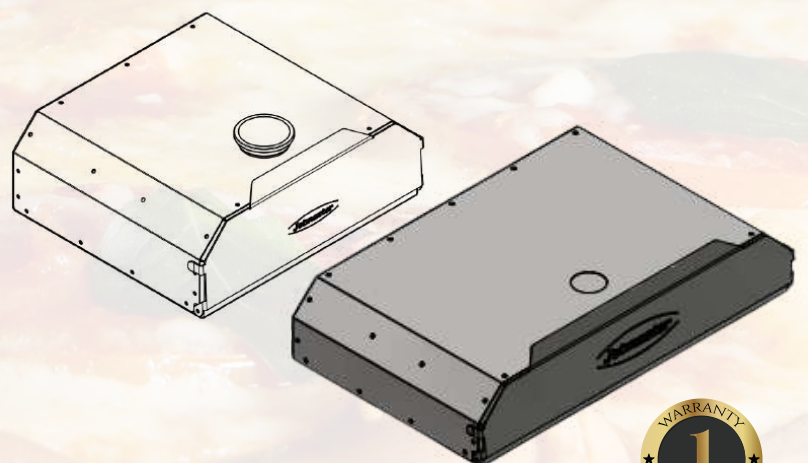
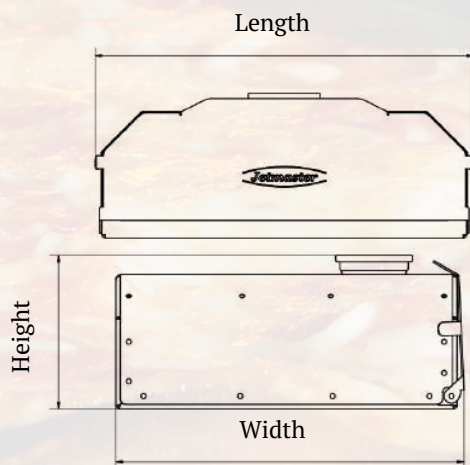


PIZZA INSERT

Elevate your outdoor cooking with our Stainless Steel Pizza Oven Insert. Designed for precision, it features a built-in thermometer for accurate temperature control and comes with a convenient mini pizza paddle. Compatible with any braai stand, this insert transforms your setup into a professional-grade pizza oven, delivering perfectly crispy pizzas every time. Ideal for pizza lovers who want to bring gourmet flavours to their backyard.



UNIT /MODEL	MEASUREMENTS (MM)			Pizza Capacity
	Width	Depth	Height	
Small	436	378	167	1
Large	602	378	121	2



Excludes Corrosion

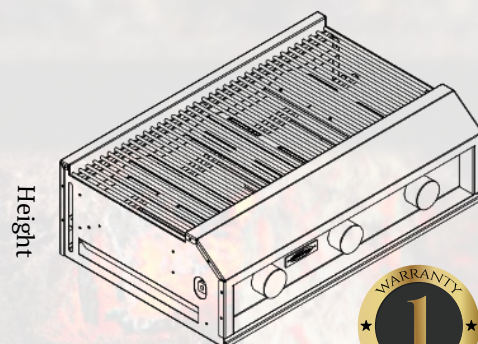
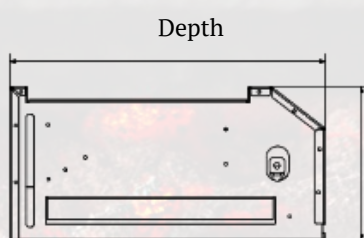
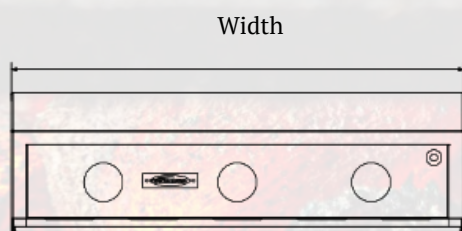


GAS INSERT

The Gas Inserts, featuring a robust exterior crafted from 304 stainless steel for exceptional durability. Equipped with 304 stainless steel burners and deflector plates, the inserts include a copper pipe, orange hose, regulator, and an installation manual for easy setup. Choose between an insert or a tabletop version to suit your needs: the S-Shallow (insert option) or D-Deep (countertop option). Experience versatility and quality in your grilling with our Gas Inserts!



UNIT / MODEL	MEASUREMENTS (MM)			
	Width	Depth	Height	Grill Size
3 BNR S	645	415	202	635X285
3 BNR D	645	595	202	635X445
4 BNR S	805	415	202	795X285
4 BNR D	805	595	202	795X445
5 BNR S	983	415	202	973X285
6 BNR S	1165	415	202	1155X285
6 BNR D	1165	595	202	1155X445



Excludes Corrosion

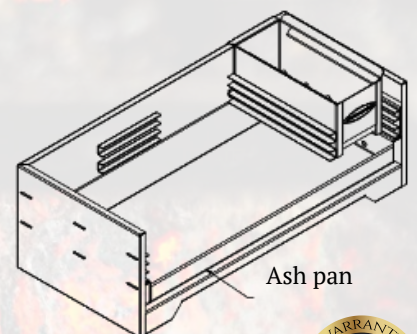
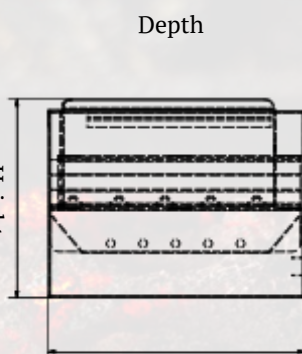
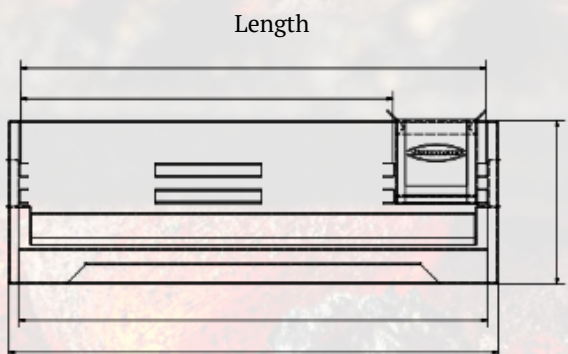


CHARCOAL INSERT

The Jetmaster Tabletop Braai, your favorite built-in braai without the hassle of construction. Designed to fit perfectly on your existing tabletop or bricked braai, it offers all the benefits and features of a modern built-in unit. Enjoy the convenience and style of the Jetmaster Tabletop Braai, making every grilling experience effortless and enjoyable!



UNIT / MODEL	MEASUREMENTS (MM)				
	Width	Depth	Height	Grill Size	Charcoal starter
740	740	435	345	690x420	NO
1000	1000	435	345	785X420	YES
1200	1200	435	345	985X420	YES



Excludes Corrosion



PREMIO PIZZA OVEN

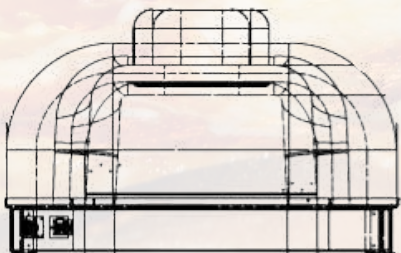
The Premio Pizza Oven, designed with a durable, heavy-duty outer body for lasting performance. It features a 600mm flue pipe equipped with damper control, a storm cowl, and includes a pizza paddle, touch-up paint for surface cracks, and an installation manual. Choose between a counter-top version or a pizza oven stand with a convenient shelf (stand sold separately). Please note that the oven cannot be built in. Available in both wood only.

Elevate your outdoor cooking experience with the Premio Pizza Oven!

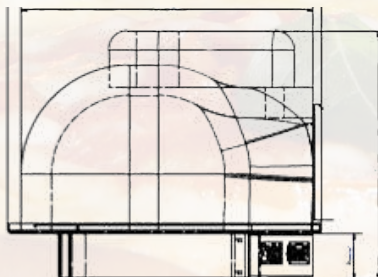


UNIT / MODEL	MEASUREMENTS (MM)				FLUE SIZE	
	Width	Depth	Height	Pizza Capacity	Ø	Length
WOOD	1059	825	615	3x Medium	150	1200

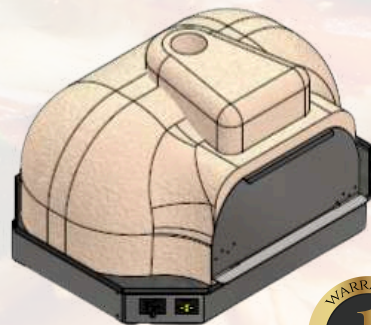
Width



Depth



Height



Excludes Corrosion & Surface Cracks

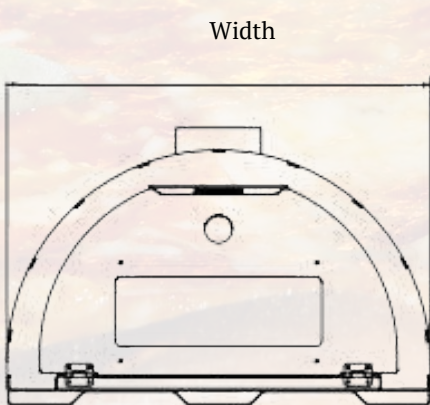


BELLA FORNO PIZZA OVEN

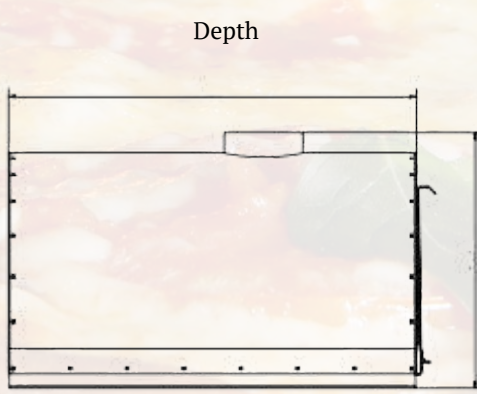
The Bella Forno Stainless Steel Pizza Oven, designed for both style and functionality. It features a slimline robax glass for easy pizza viewing and a robust insulated stainless steel exterior for durability. The oven is equipped with a 2x 600mm mild steel flue pipes, a storm cowl, and includes a pizza paddle, built-in thermometer, and a log claw for adding wood. Elevate your pizza-making experience with the Bella Forno, combining performance and convenience for delicious results every time!



UNIT / MODEL	MEASUREMENTS (MM)				FLUE SIZE	
	Width	Depth	Height	Pizza Capacity	Ø	Length
WOOD	765	800	500	2x Large	150	1200



Width



Depth



Height



Excludes Corrosion



CAMP BRAAI

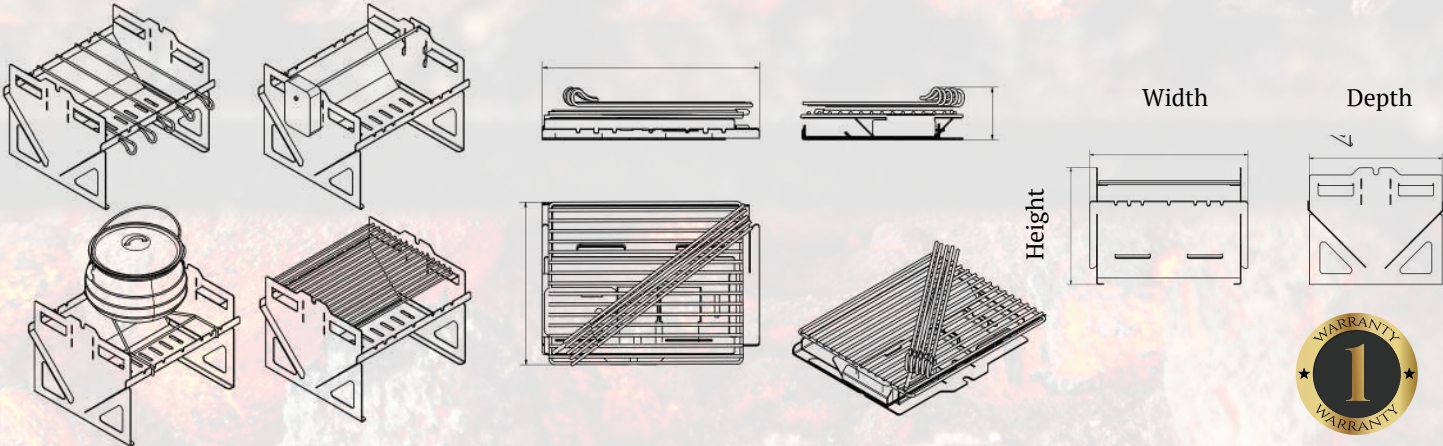
The Camp Braai, designed for outdoor cooking enthusiasts. It features a sturdy outer body and comes with five kebab skewers for grilling delights. The rotisserie kit includes a motor powered by two size D batteries (not included), allowing for effortless cooking. Additionally, it includes a potjie pot stand suitable for a size 3 pot (pot not included) and an installation manual for easy setup. Experience the joy of outdoor cooking with the versatile Camp Braai, perfect for any camping adventure!



UNIT / MODEL	MEASUREMENTS (MM)			
	Width	Depth	Height	Grill Size
CAMP BRAAI	447	377	330	380X400

Different configurations

Flat pack



Excludes Corrosion

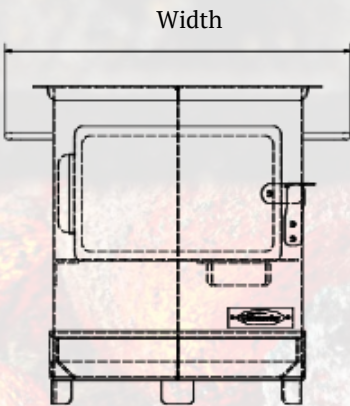


POTJIE COOKER

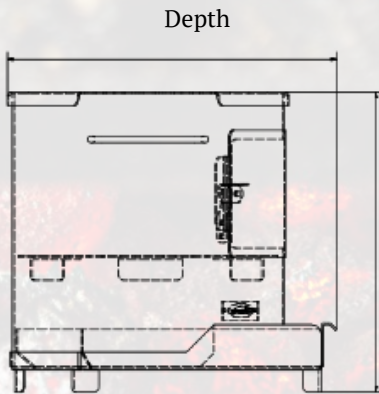
The Potjie Cooker, designed for 3 to 4 kg pots. Available for purchase with or without a pot, this cooker enhances your outdoor cooking experience. While some believe the secret to a great potjie is to leave it undisturbed, we know it's the bushveld setting and great company that truly make it special. Create the most delicious potjie in South Africa with our Potjie Cooker, perfect for gatherings and unforgettable culinary moments!



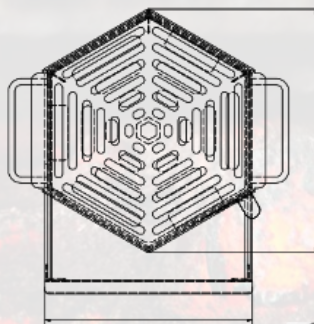
UNIT / MODEL	MEASUREMENTS (MM)			
	Width	Depth	Height	Grill Size
POTJIE COOKER	358	363	330	311X265



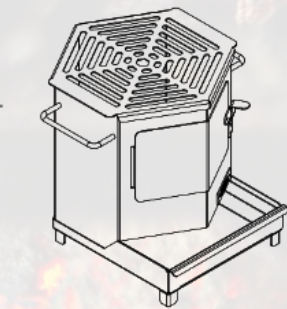
Width



Depth



Grill Size



Height



Excludes Corrosion

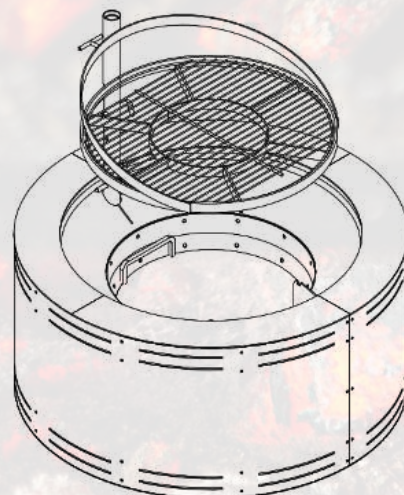
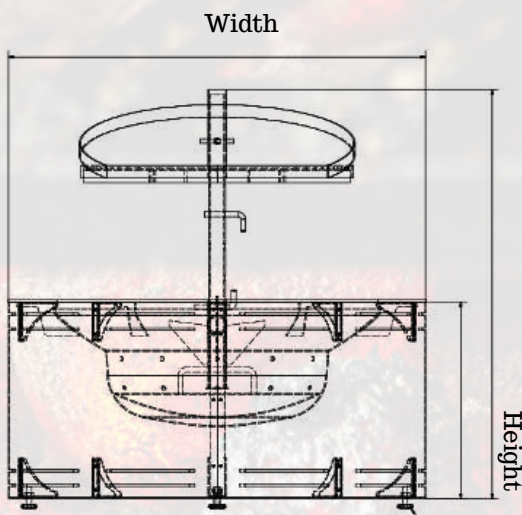


MOREMI

The Moremi Braai Pit, a marvel of stainless steel artistry. Its outer body crafted from stainless steel, exudes strength and durability. The grill kit features an adjustable swivel lever, allowing for temperature control and perfect cooking for meats and potjiekos. The braaipit's versatile design allows for the removal of the grill, creating a true firepit experience.



UNIT / MODEL	MEASUREMENTS (MM)			
	Width	Height	Grill Max Extension Height	Grill Size
BRAAIPIT	855Ø	403	420	545Ø



Excludes Corrosion



ATLANTA 4 BURNER

The Jetmaster 4 Burner Atlanta, a versatile grilling solution featuring four powerful burners and an additional side burner for ultimate cooking flexibility. Equipped with a warmer rack and convenient storage for your gas bottle, this braai makes grilling a breeze. Whether it's a weekday dinner or an adventurous weekend cookout, the Jetmaster 4 Burner Atlanta is designed for easy and everyday use, elevating your outdoor cooking experience to new heights!



UNIT / MODEL	MEASUREMENTS (MM)					
	Width	Depth	Height	Heat Output	Grill Size	Gas Cylinder Size
ATLANTA	1300	540	1110	17,1kW	650X375	9kg



Excludes Corrosion

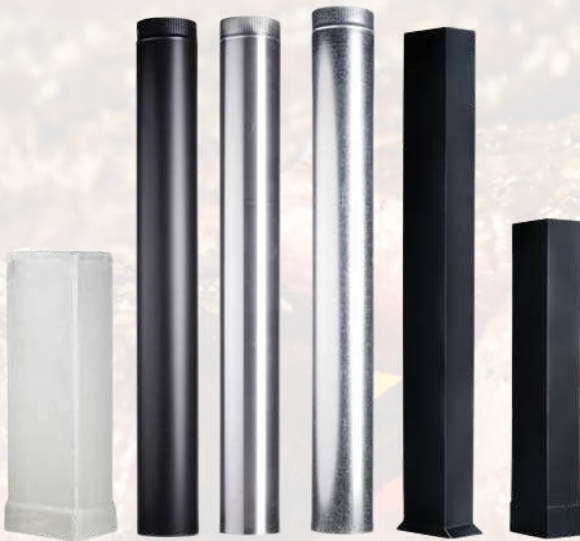


A wide variety of accessories are available to complement the braai selected. Accessories are manufactured ensuring only prime materials are used in the production process.



COWLS

Cowls manufactured are available in all standard sizes and are available in mild steel and stainless steel. These include Turbo Cowl, Storm Cowls, Chinese Cowl, Fixed Cowl, and Rotating Cowl and base—all of which prevent down-draughts and rain entering the flue.



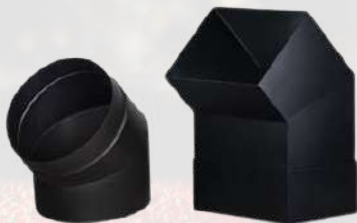
FLUES

Round and square high-quality flues are available. The round flues are supplied in 1.2m lengths in mild steel, stainless steel, or galvanised, whilst the square flue is available in 1.8m with the collar and 2.4m flair and is manufactured in mild steel only. Fibre cement flue liners are available in 900mm lengths.



ADAPTORS

Square to Round adaptors are available in standard sizes.



BENDS

45-degree bends are available in square or round options. The round bends are available in mild steel, stainless steel, or galvanised. The square option is available in mild steel or as a fibre cement option.

JETMASTER WARRANTY STATEMENT

Jetmaster provides the following warranty terms and conditions for all Jetmaster products, which include fireplaces, barbecues, slow combustion stoves, gas grills, related accessories, and optional extras. These products are warranted against defects in materials and workmanship from the date of purchase.

This warranty applies only when the product is used under normal use, in a domestic environment, maintained according to the manufacturer's guidelines, and receives periodic servicing as specified, where applicable.

Additional Warranty Provisions:

Jetmaster Braai Boxes: Warranted against defects in materials and workmanship for a period of 5 years from the date of invoice, subject to normal use and maintenance.

Jetmaster Skukuza Braai frames: Warranted against defects in materials and workmanship for a period of 5 years from the date of invoice, subject to normal use and maintenance.

Jetmaster Universal, Hex and Lynx Fireplace Boxes: Warranted against defects in materials and workmanship for a period of 5 years from the date of invoice, subject to normal use and maintenance.

Jetmaster Contractor Universal, Mynx and Onyx Fireplace Boxes: Warranted against defects in materials and workmanship for a period of 5 years from the date of invoice, subject to normal use and maintenance.

Jetmaster Slow Combustion Fireplace Boxes: Warranted against defects in materials and workmanship for a period of 5 years from the date of invoice, subject to normal use and maintenance.

Amesti Slow Combustion Fireplace Boxes: Warranted against defects in materials and workmanship for a period of 5 years from the date of invoice, subject to normal use and maintenance.

Global, Blaze, Panorama and Mercury Combustion Fireplace Boxes: Warranted against defects in materials and workmanship for a period of 3 years from the date of invoice, subject to normal use and maintenance.

Jetmaster Gas Grills, Potable gas braais, Patio bomas, Braaipits, Firepits, Camp braais, Potjie cookers Argentinian grills and Pizza ovens: Warranted against defects in materials and workmanship for a period of 12 Months from the date of invoice, subject to normal use and maintenance. Please note that this warranty does not cover; corrosion or discoloration for products manufactured from mild steel or stainless steel, or in a manner that is subject to water ingress or sea influence.

Accessories Coverage: Accessories, such as gas grill inserts, Potable gas braais, ash pans, Basket grates and pans, charcoal starters, Charcoal trays, Flue pipes, cowls and grills, are warranted for a period of 12 months against defects in materials and workmanship. This does not cover issues arising from misuse or fair wear and tear, rust or discoloration.

Exclusions from Warranty: The Jetmaster warranty does not apply in the following situations: Lack of proof of purchase; Damage or malfunction resulting from improper use or operation outside of intended design parameters; Installation not conducted per the Jetmaster Installation and Instruction Manual provided at the time of purchase; Lack of general maintenance of your unit and accessories; Modifications made to the product without written authorisation from Jetmaster; Use of non-approved or non-standard accessories attached to the firebox. Items in the flame path, such as Gas grill and Gas portable braai burners, flame tamers, bowl panels, collector boxes, burner brackets, vermiculite panels, rope seals, baffle

plates, door handles and glass are not covered by warranty as these items are particularly prone to damage and general wear and tear.

Claim Process and Limitation of Liability: If a valid claim arises within the warranty period, Jetmaster will, at its discretion, repair or replace the product after investigating and confirming the claim's merits within a reasonable time frame. Jetmaster will not be liable for any consequential loss, damage, or injury resulting from or connected with the installation, use, or operation of any Jetmaster product.

Please submit your claim to: info@jetmaster.co.za / 011 764 4632



**7 Borax Street
Alrode Alberton
1451**

**011 764 4632
info@jetmaster.co.za
www.jetmaster.co.za**

Jetmaster